

Video Features:

Genlock: Blackburst ref input, Blackburst ref loop
 Video Inputs: 4 x SDI input
 Video Outputs: 8 x SDI output
 Video Standards: NTSC 720 x 480, PAL 720 x 576
 Video I/O: ITU-R601, YUV, C-Cube DVXpress-MX50 - supports dual-stream DV, DV50, MPEG-2 MP@ML and MPEG 2 4:2:2@ML
 Video Formats: DV and MPEG-2 in an AVI container
 Codecs: 8/10 bit YCbCr

Audio Features:

Digital Audio I/O: 2 x AES/EBU or Embedded per video channel
 Sampling Method: 16 bit, 48 kHz with 64X oversampling

Control:

RS-422 control
 Drastic Front Panel Controller
 Network Control interface

Network:

10/100 BaseT

Storage:

SCSI connection, storage quoted per application
 Fibre Channel option replaces SCSI

Software:

QuickClip/XO (capture/control/playback),
 MediaReactor (convert between media file types),
 DrasticPreview (VGA screen media player),
 Windows 2000

Chassis:

Standard 4 rack unit chassis
 7" x 19" x 23 1/2" [17.8 x 48.3 x 59.7 cm.]

Power:

7 amps @ 110v, 3.5 amps @ 220v

Drastic Compressed DDR

Standard Features:

Pull-ins and Laybacks

Frame-accurate control of external devices

Operation Under Control

Compatible with most Controller devices

PlayLists and TimeCode Space

Clip- or Time Code-based media sequencing

SpeedLimit Drive Test

Confirm storage performance/bandwidth

MediaReactor

Automated media file format conversions

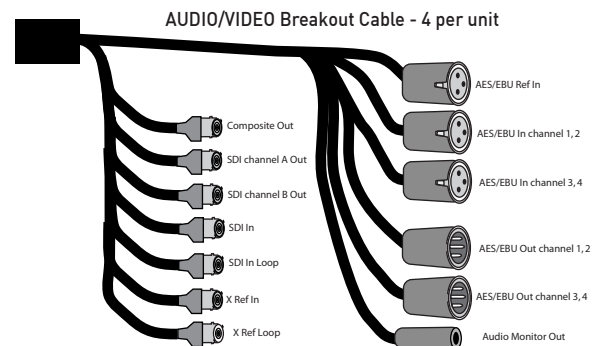
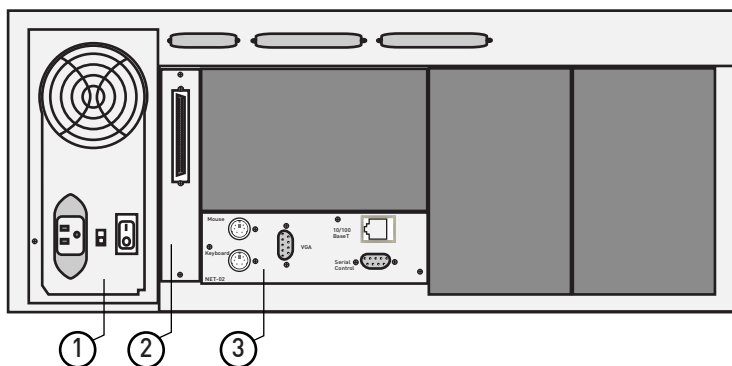
DrasticPreview

VGA Screen media preview utility

Network Access

Share and manage media across a network

Rear Connectivity Diagram



1. Power: Fan, AC Plug, Power Switch & Voltage Selector
 2. SCSI Plate: Standard external SCSI storage connection
 3. NET-02 Plate: Keyboard, Mouse, VGA, 10/100 BaseT, Serial Control
- 4 x AUDIO/VIDEO CABLES - each cable provides:
- 1 x Composite output BNC
 - 2 x SDI output BNCs (channel A and channel B)
 - 1 x SDI input, SDI loop BNCs
 - External Reference Input, External Reference Loop BNCs
 - AES/EBU Reference Input
 - AES/EBU input XLR ch 1 & 2 (stereo left and right for the video input channel)
 - AES/EBU input XLR ch 3 & 4 (stereo left and right for the video input channel)
 - AES/EBU output XLR ch 1 & 2 (stereo left and right for the video input channel)
 - AES/EBU output XLR ch 3 & 4 (stereo left and right for the video input channel)
 - 1/4" audio jack for audio monitor